

NEWPORT® Pressure + Temperature Virtual Chart Recorder

iServer MicroServer™

- ✓ Virtual Chart Recorder
- ✓ Web Server
- ✓ Accurate
- ✓ Email Alarms
- ✓ Data Logging
- ✓ No Special Software Required

\$295
IPTX-D



All IPTX models include a 304 SS, 1/8-27 NPT pressure transducer with twist lock connector!



FCC-B
CE



View Air (inert gas) Pressure + Temperature with a Web Browser

The NEWPORT® IPTX transmitter let's you monitor and record Air (inert gas) Pressure (0-200 psi) and Temperature over an Ethernet network or the Internet with no special software except a Web Browser.

The NEWPORT IPTX serves Active Web Pages to display real time readings, display charts of air pressure and temperature, or log data in standard data formats for use in a spreadsheet or data acquisition program such as Excel or Visual Basic.

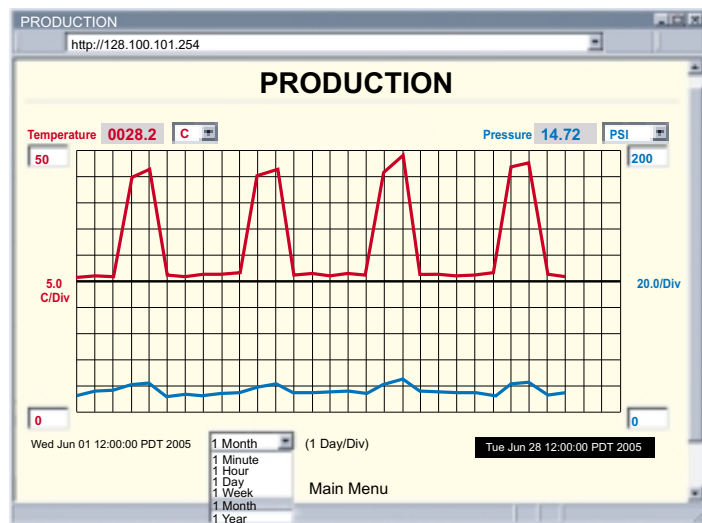
The virtual chart viewed on the web page is a JAVA™ Applet that records a chart over the LAN or Internet in real time. With the NEWPORT IPTX, there is no need to invest time and money learning a proprietary software program to log or chart the data.

Adjustable Charts

Chart scales are fully adjustable on the fly. For example, the chart can display one minute, one hour, one day, one week, one month or one year.

Temperature can be charted across the full span (0 to 70°C) or within any narrow range (such as 20-30°C).

Air (inert gas) Pressure can be displayed in kilopascals (kPa), pounds per square inch (psi) or kilograms per square centimeter (Kg/cm²).



Adjustable Chart Web Page

Display and Chart Measurements

The iPTX transmitters come complete with a air pressure / temperature probe for measurement of a single location.

Award-winning Technology

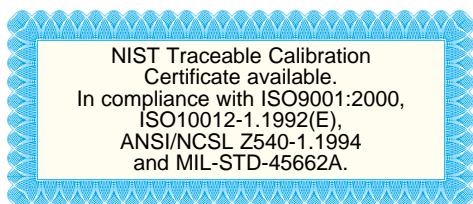
The NEWPORT iPTX is simple to install and use, and features NEWPORT's award-winning **iServer** technology that requires no special software except a Web Browser.

The iPTX connects to an Ethernet Network with a standard RJ45 connector and sends data in standard TCP/IP packets. It is easily configured with a simple menu using a Web Browser and can be password protected.

From within an Ethernet LAN or over the Internet, the user simply types its IP address or an easy to remember name such as "Cleanroom 5" or "Midwest Server Room" in any Web Browser, and the iPTX serves a Web Page with the current readings.

Typical Applications

The NEWPORT iPTX is great for monitoring air (inert gas) pressure and temperature in applications such as: HVAC systems, pharmaceutical and food processing and storage, hospitals, laboratories, semiconductor fabs, electronic assembly, warehousing, manufacturing, greenhouses, farm animal shelters, and many more.



NEW iPTX-M with Flash Memory and LCD Display

The NEWPORT model iPTX-M with LCD display, adds several valuable features in addition to the backlit local display of temperature and air pressure.

The "Memory" model comes complete with a removable 2 Megabyte Flash Memory card that can store one full year of readings taken at one minute intervals (or two months of readings taken at ten second intervals).

Up to four years of temperature + pressure readings can be stored on the 8 Megabyte card.

With data being recorded in the built-in nonvolatile flash memory, a failure on the Ethernet network will not interrupt the data record.

Alarm Relays

The NEWPORT iPTX-M features two 1.5 Amp relays. With the easy Web-based setup page, the two relays can be programmed for any combination of temperature or pressure, and high or low set points. The relays can also be programmed to remain latched and require a manual reset if a limit is exceeded.

Email Alarms

In addition to the mechanical alarm relays, all NEWPORT iPTX models that are on a LAN that is connected to the Internet can trigger an alarm that can be sent by email to a user or a distribution list anywhere in the world, including an Internet enabled pager or cell phone.



View Air Pressure and Temperature over the Ethernet or Internet

Battery Backup

The iPTX-M comes with a universal ac adapter. A standard 9 Volt Alkaline battery (also included) allows the device to log data for up to 10 days without external ac power.

In locations without power or network accessibility, the iPTX-M continues logging data to its flash memory. The stored data can later be downloaded over the Ethernet.

NEWPORT iServer products are designed and manufactured in Santa Ana, California.

Virtual Chart Recorder



Sensor Specifications

Air (inert gas) Pressure (P)

Accuracy/Range:

0-200 psi ± 2.4 (0-14 bar ± 0.2)

Resolution: 0.006 psi (0.4 mbar)

Maximum safe pressure:
250 psi absolute (17 bar abs)

Temperature (T)

Accuracy: $\pm 2^\circ\text{C}$ ($\pm 3.6^\circ\text{F}$)

Range: 0 to 70°C (32 to 158°F)

Response Time: 5 seconds

Resolution: 0.01°C , 14bit

Probe Physical Dimensions

Probe: 99.0 mm lg x 19.0mm dia (3.9" x 0.75" dia) assembled

Pressure Port: 304 SST, 1/8-27 NPT

Twist Lock Type Connector:

PTIH-10-6P and PT06F-10-6S

Cable with DB9 or Stripped Leads: 6.1m long (20')

Cable operating temperature: 0 to 105°C (32 to 221°F)

iServer Specifications

Interfaces

Ethernet: 10Base-T (RJ45)

Supported Protocols

TCP/IP, UDP/IP, ARP, ICMP, DHCP, DNS, HTTP, and Telnet

Indicators (LED's)

Network Activity, Network Link, Transmit and Receive/Diagnostics

LCD Display

16 Digits 6mm (0.23") for iPTX-M

Memory

512 Kbytes Flash, 16 Kbytes SRAM

Memory Data Flash Card

2 M bytes: 2 months of data storage at 10 second logging intervals or 1 year at 1 minute intervals for iPTX-M

Relay Outputs

Two Relays 1.5A @ 30 Vdc for iPTX-M

Management

Device configuration and monitoring through embedded WEB server.

Software

Firmware upgradeable. Including an Excel program for automatic data logging within definable time intervals, compatible with all Windows operating systems.

Embedded WEB Server

Serves WEB pages containing real-time data and live updated charts within definable time intervals.

Power

Input:

9-12 Vdc iPTX-W, iPTX-M
10-32 Vdc iPTX-D

Safety Qualified ac power adapter:
Nominal Output: 9 Vdc @ 0.5A;
Input: 100 - 240Vac, 50/60 Hz included for iPTX-W, iPTX-M

Switching Power Supply sold separately for iPTX-D

Consumption: 2.5 W max.

Battery: 9Vdc, Alkaline iPTX-M

Environmental

Operating Temperature:

0 to 70°C (32 to 158°F)

Packaging

Material: Metal case with flange mount for iPTX-W, iPTX-M.

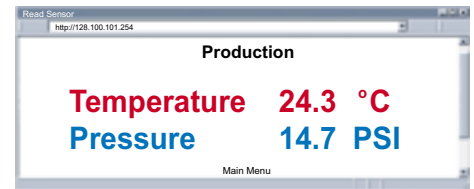
Polycarbonate case with DIN Rail mount for iPTX-D

Weight: 272 g (0.60 lbs) iPTX-D

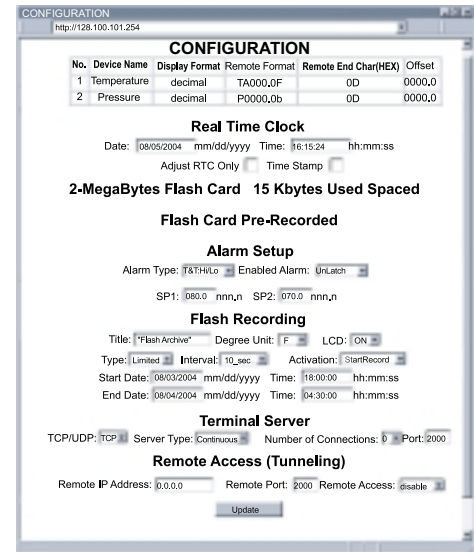
363 g (0.80 lbs) iPTX-W;

467 g (1.03 lbs) iPTX-M

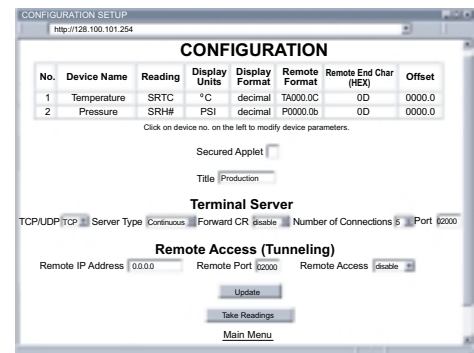
Dimensions: Refer to Mechanical Specifications page.



Reading Sensor Web Page



iPTX-M Device Configuration Web Page



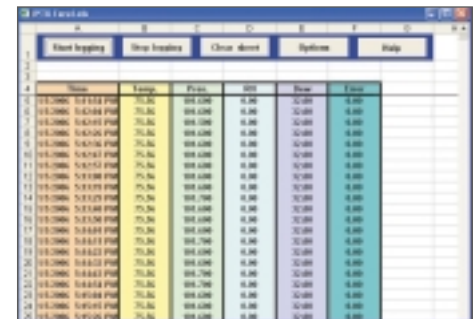
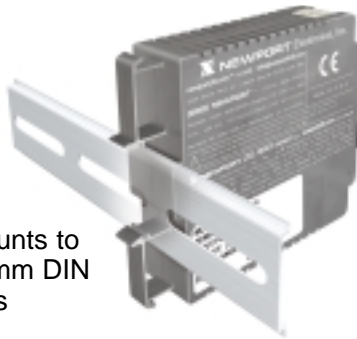
iPTX-W and iPTX-D Device Configuration Web Page

iDRN-PS-1000

- 24Vdc Supply
- Switching Power Supply powers up to 7 units



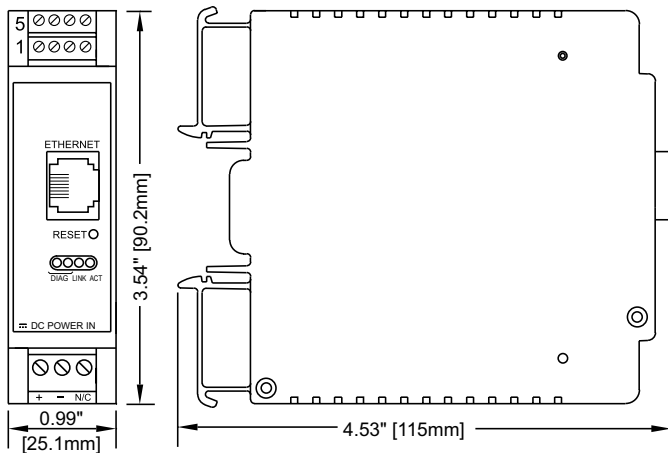
Mounts to 35mm DIN rails



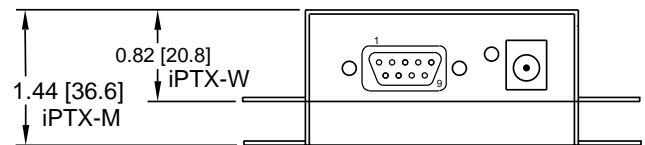
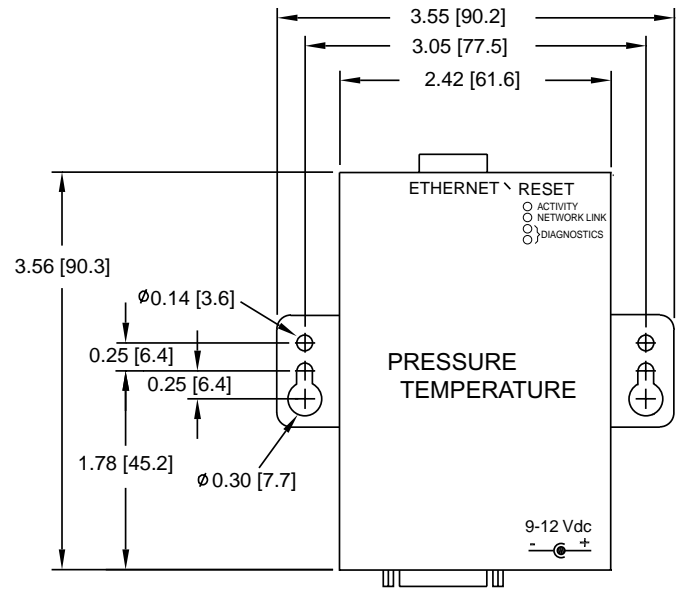
Datalogging Spreadsheet

Mechanical Specifications

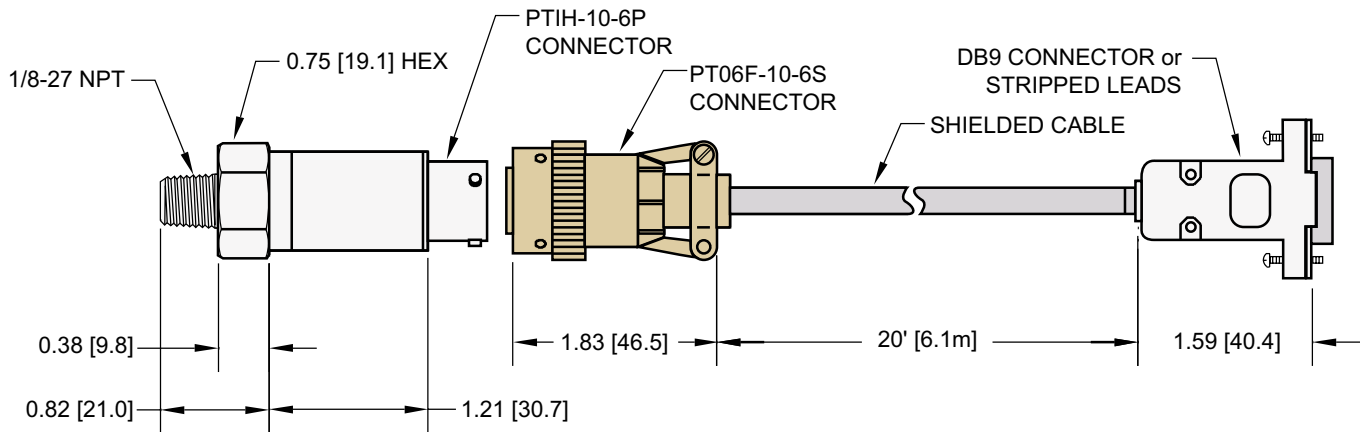
Dimensions shown in inches (mm)



iPTX-D



iPTX-W and iPTX-M



iPTP / iPTP-DB9

Model No.	Description	Price
iPTX-D	DIN Rail iServer Industrial MicroServer™ for Air (Inert Gas) Pressure (0-200 psi) and Temperature. Includes Probe with 20 ft (6.1 m) Cable, Stripped Wire Leads	295
iPTX-W	iServer MicroServer™ for Air (Inert Gas) Pressure (0-200 psi) and Temperature. Includes Probe with 20 ft (6.1 m) Cable, DB9 connector and universal (100-240 Vac) power adapter	295
iPTX-M	iServer MicroServer™ for Air (Inert Gas) Pressure and Temperature. Includes Probe with 20 ft (6.1 m) Cable, DB9 connector, LCD Display, 2 M bytes Flash Memory Card, 2 Relay Alarm, Battery Back-up, and universal (100-240 Vac) power adapter	395
Accessories		
iPTP	Replacement Probe with 20 ft (6.1 m) Cable, Stripped Wire Leads (for iPTX-D)	100
iPTP-DB9	Replacement Probe with 20 ft (6.1 m) Cable, DB9 Connector (for iPTX-M / iPTX-M)	125
iDRN-PS-1000	Power Supply (switching), 95 to 240 Vac input, 24 Vdc output @ 850 mA, powers up to 7 units (for iPTX-D)	150
iTH-MC2	Memory Data Flash Card, 2 M byte / 1 Year @ 1 Minute Intervals (for iPTX-M)	10
iTH-MC4	Memory Data Flash Card, 4 M byte / 2 Years @ 1 Minute Intervals (for iPTX-M)	20
iTH-MC8	Memory Data Flash Card, 8 M byte / 4 Years @ 1 Minute Intervals (for iPTX-M)	30
CAL-3-A	NIST Traceable Calibration Certificate. 3 Pressure Points, Temp 25°C (for new units)	125